

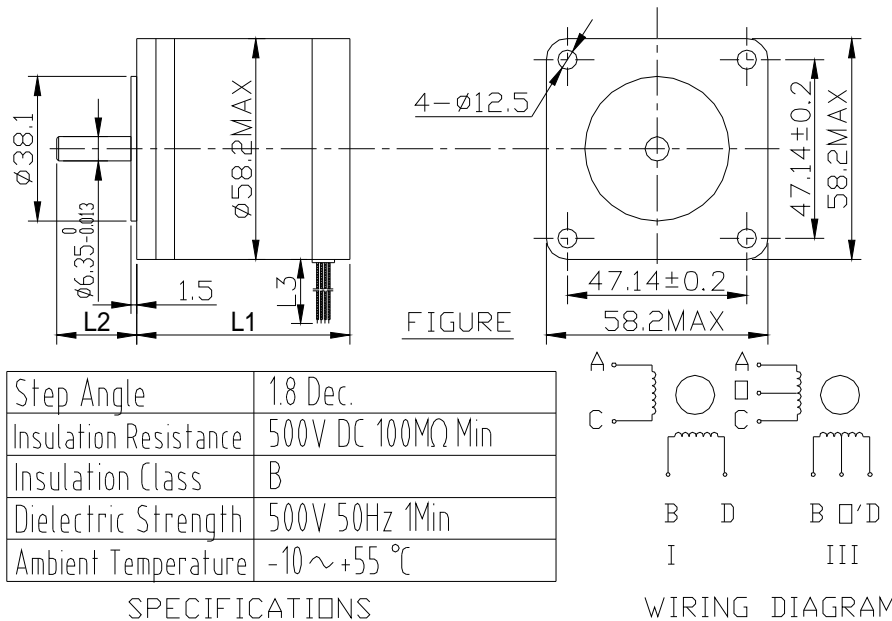
# 57BYG STEPPING MOTOR

## 1. INFORMATION AND APPLICATION

57BYG stepping motor is used in household appliances, medical equipment, stage lighting devices, the control system of industrial automation and some driving devices.



## 2. FIGURE AND WIRING DIAGRAM



## 3. SPECIFICATIONS

Model	Phase	Voltage (V)	Current (A)	Resistance (Ω)	inductance (mH)	Holding Torque (N.cm)	Detent Torque (N.cm)	Weight (Kg)	L1 (mm)	L2 (mm)	L3 (mm)	Wiring Diagram
57BYG069	4	6	1.2	5	8	58.8	7.06	0.65	56	21	400	III
57BYG007	4	12	0.38	32	30	29.4	3.33	0.45	50.5	21	300	III
57BYG008	4	4	1.3	3.1	4.4	49	5.88	0.6	50.5	20.5	400	III
57BYG060	2	2.6	2	1.3	3	61.7	5.88	0.6	56	21	300	I
57BYG085	2	12	0.38	32	62	35.28	3.33	0.45	40.5	21	300	I
57BYG085-1	2	14	0.34	41	70	35.28	3.33	0.45	50.5	21	300	I