



Model Shown A39-60-90V-BD1

UNIVERSAL SCR CHARGER

The La Marche model A39 charger is a microprocessor controlled SCR charger with adjustable output voltage, current limit and charge timer. This charger is designed to provide the battery charging flexibility needed for maintenance shops and other locations with various charging requirements.

This charger may be used as a constant current charger where the open circuit voltage can be adjusted or as a constant voltage charger with 1% regulation. The voltage and current limit adjusts from 5% to 100% of the rated value. This provides the flexibility to charge a wide range of Lead Acid or Ni-Cad battery cells. The charge timer range adjusts between 30 minutes to 99 hours in 30 minute increments.

A “Select” push-button changes the display function from AMPS, VOLTS, AMP HOURS RETURNED or TIME. The initial voltage setting is derived from the actual battery voltage when the battery is connected.

The model A39 will start upon connection to a battery and closure of the AC or optional DC breaker and will “Auto-Stop” when the charge cycle is terminated by action of a normal charge complete or opening the circuit breaker.

Standard Features

- Microprocessor Control
- Auto Start/Stop Circuitry
- Constant Current Mode Charging
- Wide Current, Voltage & Timer Ranges
- AC Breaker
- DC Breaker (Single Phase Units)
- Automatic Surge protection
- Digital Display
 - Voltage
 - Current
 - Timer Hours
 - AMP-Hours Returned
 - Voltage Setting
 - Current Setting
 - Timer Setting
- LED Lights for:
 - “ON” Charger
 - Charge Complete
 - Amps
 - Volts
 - Amp Hours
 - Elapsed Time
- Digital Adjustable
 - Output Voltage
 - Current Limit
 - Charger Timer
- Fault Mode Diagnostics
- Ten-foot Output Cable with Connector

Optional

- DC Circuit Breaker (Three Phase Units)
- Safety Door Switch
- Mobile Caster Kit (Not Available for 480 VAC)
- Zero Volt Battery Start

A39 UNIVERSAL SCR CHARGER

Model	DC Output			Cells		AC Input	Case	Aprox. Weight (Lbs)
	Amps	Volts	Breaker	Lead	Nickel			
A39-60-30V-ABD1	60	30	Included	1 - 12	2 - 20	120/240/208 VAC - 1 PH.	6	175
A39-20-60V-ABD1	20	60	Included	3 - 24	6 - 40	120/240/208 VAC - 1 PH.	6	130
A39-40-60V-ABD1	40		Included			120/240/208 VAC - 1 PH.	6	190
A39-100-60V-BD3	100		Optional			240/208 VAC - 3 PH.	8A	325
A39-150-60V-BD3	150		Optional			240/208 VAC - 3 PH.	8A	350
A39-200-60V-BD3	200		Optional			240/208 VAC - 3 PH.	70	450
A39-100-60V-C3	100		Optional			480 VAC - 3 PH.	8A	325
A39-150-60V-C3	150		Optional			480 VAC - 3 PH.	8A	350
A39-200-60V-C3	200	Optional	480 VAC - 3 PH.	70	450			
A39-60-90V-BD1	60	90	Included	4 - 36	8 - 60	240/208 VAC - 1 PH.	6	300
A39-100-90V-BD3	100		Optional			240/208 VAC - 3 PH.	8A	350
A39-150-90V-BD3	150		Optional			240/208 VAC - 3 PH.	8A	565
A39-200-90V-BD3	200		Optional			240/208 VAC - 3 PH.	70	637
A39-100-90V-C3	100		Optional			480 VAC - 3 PH.	8A	350
A39-150-90V-C3	150		Optional			480 VAC - 3 PH.	8A	565
A39-200-90V-C3	200		Optional			480 VAC - 3 PH.	70	637
A39-30-150V-BD1	30	150	Included	6 - 60	12 - 106	240/208 VAC - 1 PH.	6	300
A39-50-150V-BD3	50		Optional			240/208 VAC - 3 PH.	8A	345
A39-100-150V-BD3	100		Optional			240/208 VAC - 3 PH.	8A	600
A39-150-150V-BD3	150		Optional			240/208 VAC - 3 PH.	27	640
A39-200-150V-BD3	200		Optional			240/208 VAC - 3 PH.	27	690
A39-100-150V-C3	100		Optional			480 VAC - 3 PH.	8A	345
A39-150-150V-C3	150		Optional			480 VAC - 3 PH.	27	600
A39-200-150V-C3	200		Optional			480 VAC - 3 PH.	27	690

Charger Specifications

Electrical

AC Input Voltages (60 Hz)

120/208/240 VAC single phase
240/208 VAC single or three phase
480 VAC three phase

DC Output Current

20 to 200 amps

DC Output Voltage Range

2-30 VDC
6-60 VDC
8-90 VDC
12-150 VDC

Operating Temperature

0° to 50° C

Regulation

1%

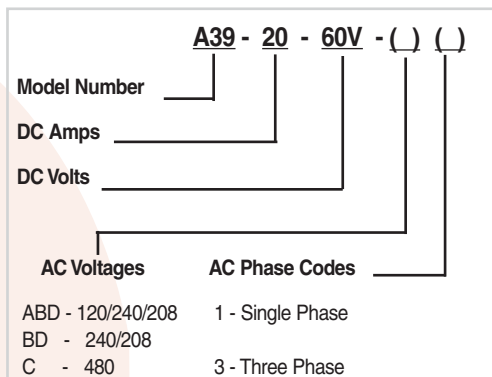
Finish

ANSI 61 baked enamel

Case Specifications

Case No.	Width		Depth		Height		Mounting
	in	mm	in	mm	in	mm	
6	25.5	650	13.9	354	28.0	711	Wall / Floor
8A	27.2	691	16.1	410	32.5	826	Floor
27	27.3	691	25.8	656	56.1	1425	Floor
70	27.0	686	19.0	483	41.0	1041	Floor

Model Number Nomenclature



Ordering Information

When ordering, please specify:

- La Marche Model Number
- Optional Accessories



ISO 9001:2000 CERTIFIED

Specifications subject to change without notice

P25-DSA39-1
ECN 17462

106 Bradrock Drive, Des Plaines, IL 60018-1967
Tel: 847-299-1188 Toll Free Fax: 1-888-232-9562
sales@lamarchemfg.com www.lamarchemfg.com