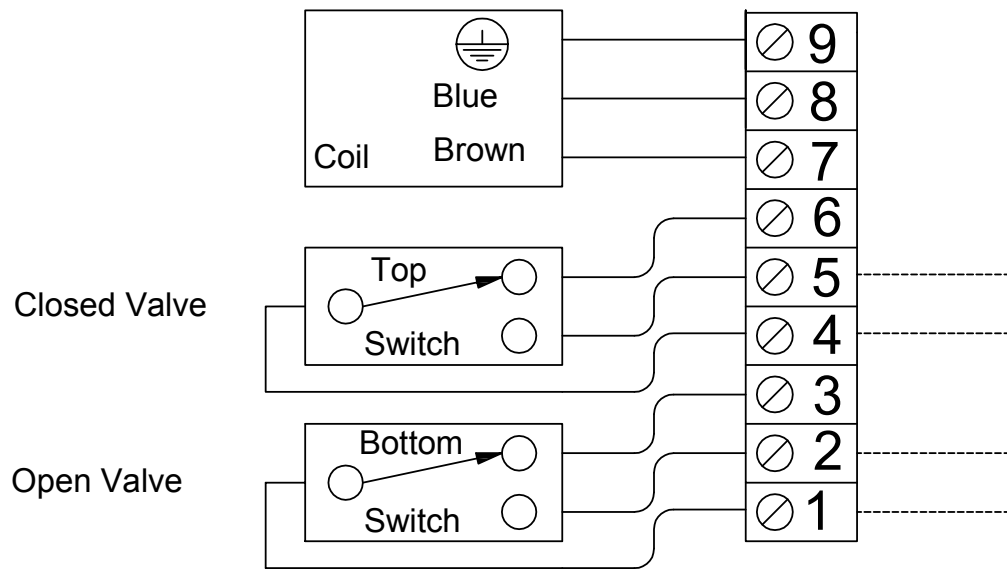


Coil - Art. ESO24DC, 24 V DC, 125 mA, 3 W
 Coil - Art. ES230AC, 230 V AC, 50-60 Hz, 5 VA



Note)
 Switches in de-activeted position.

△			
△			
△			
△			
Changes		Date	Konstr.
<small>This drawing/specification is the property of AM Instrumentering A.S. and must not be copied, or the contents thereof or any information revealed in respect therewith used or be imparted to any unauthorized third party. It must not be used for any other project than for which it was originally ordered. The receipt of this drawing/specification implies that the conditions mentioned herein are accepted.</small>			
Konstruktør	AM	Checking	
Dato	17.01.2013	Date	Scale
		-	
Approved		End switch box EPPI2M01-AM4, EPPI201-AM5 EPPI2M01-M25-3D-AM1	
		AM Instrumentering AS Tel: +47 78 19 49 78, Fax: +47 78 19 49 88 E-mail: am.instrumentering@dalnet.no Drawing nr. 13-821-01 Filename	