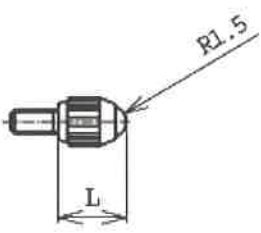
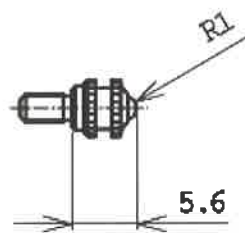
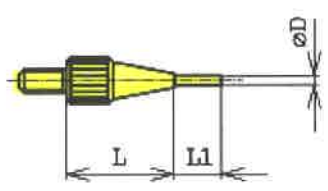


DG-105B

Contact points

Form	Dimensions	Product No./Code No.			
		Steel	Carbide	Ceramic	Nylon
	L=7	F-001	F-101	F-201	F-301
	L=9	F-002			
	L=5.6		F-171		
	L=11.5 L1=5 ΦD=Φ1.0	F-003			
	L=11.5 L1=5 ΦD=Φ1.5	F-004			
	L=11.5 L1=5 ΦD=Φ2.0	F-005			
	L=11.5 L1=5 ΦD=Φ2.5	F-006			
	L=11.5 L1=5 ΦD=Φ3.0	F-007			