

FMC-1000M

10/100/1000Base-T to 1000Base-X Web Smart OAM Managed Converter



NEW

4
Gigabit OAM
converter

The FMC-1000M family are Gigabit Ethernet 10/100/1000Base-T to 1000Base-X Web Smart OAM/IP based managed fiber media converters, which provide simple control and setting function on each Ethernet port through out of band network via a Web browser. The FMC-1000M media converters give you the fiber cabling connector, Both multi-mode and single mode converter models are available as well as BiDi which allows bi-directional transmissions using only a single fiber cable. When auto-negotiation is selected, these units will automatically tailor themselves to convert both half-duplex and full-duplex signals, according to IEEE802.3u standards. LED indicators signal the power status of the converter, UTP port speed, Link, and duplex status, FX port Link and duplex status. The stand-alone adapter type converter may also be concentrated into FMC-CH17 chassis.

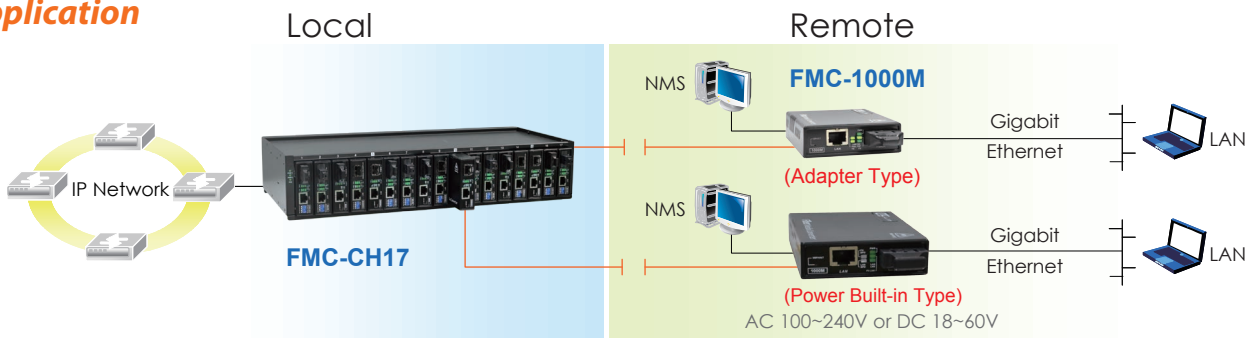
Features

- 10/100/1000Base-T to 1000Base-X Converter
- Auto-Cross over for MDI/MDIX in TP port
- Auto-Negotiation or Manual mode in TP port
- Support flow control Enable or Disable
- Support Jumbo Frame 9K Packet
- Ingress/Egress Bandwidth control
- Support 802.3ah-OAM/IP in-band management
- Firmware upgrade via Web
- Management Password Setting
- Dying gasp (remote power failure detection)
- Support Link Fault Pass Through (LFP) Function
- Support Auto Laser Shutdown (ALS) Function
- Web management on stand-alone.
- Support On-Line F/W upgrade (local) by the Web manager
- Support 16 Tag VLAN Group
- RMON counters

Specifications

Optical Interface	Connector	1x9 (SC, ST, FC)	Standards	IEEE 802.3, IEEE 802.3u IEEE 802.3ab, 802.3z	
	Data rate	1000Mbps		Indications	LED (Power, FX-Link, LAN Speed, LAN Link)
	Duplex mode	Full duplex			Power Input
	Fiber	MM 50/125µm, 62.5/125µm SM 9/125µm		Power Consumption	
	Distance	MM 550m, SM 20/40km WDM 20/40km			Dimensions (D x W x H)
	Wavelength	MM 1310nm, SM 1310, 1550nm WDM 1310Tx/1550Rx (Type A) 1550Tx/1310Rx (Type B)		Weight	
Electrical Interface	Connector	RJ-45	Temperature	0 ~ 50°C (Operating), -10 ~ 70°C (Storage)	
	Data rate	10Mbps, 100Mbps, 1000Mbps		Humidity	10 ~ 90% non-condensing
	Duplex mode	Half / Full duplex	Certification		CE, FCC, RoHS compliant
	Cable	10Base-T Cat.3, 4, 5, UTP 100Base-TX Cat.5, 5e or higher		MTBF	65,000 hrs

Application



Ordering Information

Model Name	Description
FMC-1000M	10/100/1000Base-T to 1000Base-X web smart OAM/IP managed media converter Adapter Type
FMC-1000M-AC, DC	10/100/1000Base-T to 1000Base-X web smart OAM/IP managed media converter with AC or DC Power
FMC-1000M-WM	10/100/1000Base-T to 1000Base-X web smart OAM/IP managed media converter Adapter Type with Wall Mount Kits
FMC-1000M-WM-AC, DC	10/100/1000Base-T to 1000Base-X web smart OAM/IP managed media converter with AC or DC Power and Wall Mount Kits
Connector Type	Connectivity Distance
SC, ST, FC	001: 550m 020: 20km 040: 40km 20A: WDM 20km B type 40A: WDM 40km A type 20B: WDM 20km B type 40B: WDM 40km B type



Wall-Mount Type Non Wall-Mount Type

Power Type
FMC - 1000M - □□
 Example: FMC - 1000M - DC

Specifications & design are subject to change without prior notice. Please visit CTC Union website for more details.